



## Phoenix Compact

Specifications for a Phoenix 40 & 60 electric model

### Design Features

- 40 or 60 litres
- MP25 Controller
- Robust space saving design
- Single phase 'plug & play'
- Capacity of up to 12 x 1 litre bottles
- Phoenix fits on a standard bench
- Integral drip tray
- Grade 316 stainless steel chamber
- Anti door bolt over tight mechanism
- Complete versatility for almost any application

### Optional Accessories

- Loading Baskets
- Waste Discard System
- Fan Assisted High Speed Cooling
- Condense Collector, which eliminates a drain requirement.
- Air removal HEPA filter
- Data Printers & Chart Recorders
- Vacuum & Drying options
- Anti Lime scale system



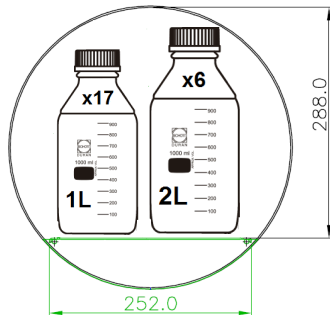
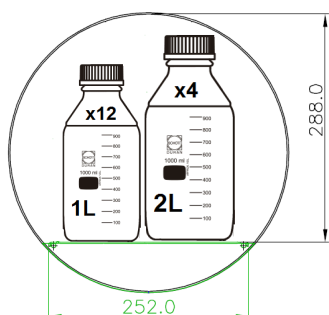
### Capacities and dimensions

Model	Phoenix 40	Phoenix 60
Autoclave Weight	108kg	115kg
Export Case Size	720w x 860h x 860d	720w x 860h x 1030d
Overall Dimensions	550w x 790h x 710d	550w x 790h x 860d
Chamber Dimensions	350 Ø x 460d	350 Ø x 600d
Water Consumption (typical per cycle)	75ml	75ml
1L Media Bottles	12	17
2L Media Bottles	4	6
Basket Dimensions	H227xW245xL430	H227xW245xL578
Waste Discard Dimensions	H227xW245xL430	H227xW245xL578
Trolley	H700xW570xL800	H700xW570xL800



Phoenix 40

Phoenix 60

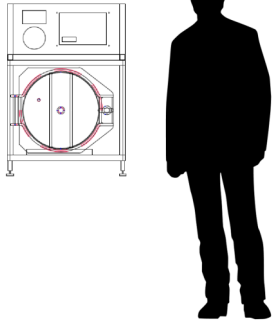


Not to scale

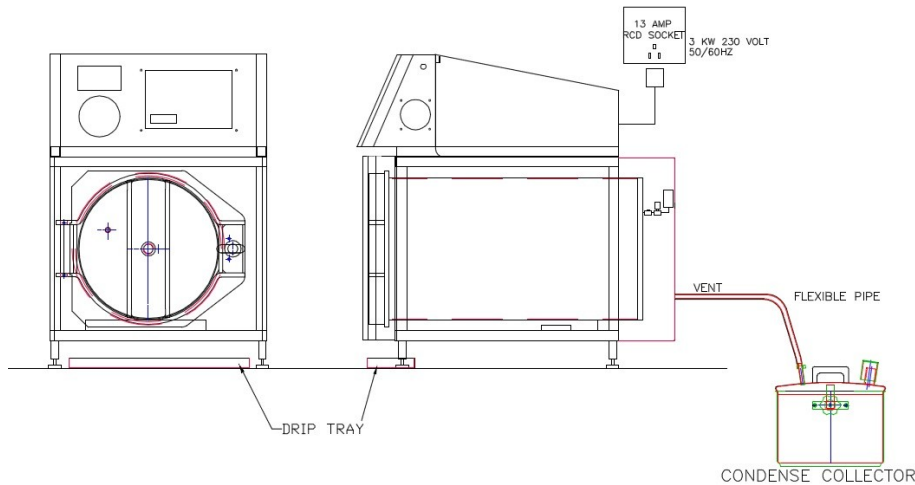
# The Rodwell

Autoclave Company

## Human Scale



## Typical Installation



Safe Design Operating Limits		
Model	Phoenix 40	Phoenix 60
Max working temperature	138°C	138°C
Min working temperature	7°C	7°C
Max ambient temperature	28°C	28°C
Min ambient temperature	11°C	11°C
Max hydraulic pressure	4.14 Bar	4.14 Bar
Max working pressure	2.62 Bar	2.62 Bar
Max working vacuum	Minus 1 Bar	Minus 1 Bar

Site Requirements		
Electrical site requirement: 1RCD 13amp Socket Outlet		
Model	Phoenix 40	Phoenix 60
Voltage	230V	230v
Phase Requirement	1ph/N 50/60 Hz	1ph/N 50/60 Hz
Power Consumption	3kw	3kw
Fuse Rating	13 amp	13 amp

## Option Requirements

- The auto fill option requires the purchase of the mounting trolley
- Drying option will require vacuum and auto water dump with a plumbed in drain service and the purchase of the mounting trolley.
- Drain requirement of 150°C, 35Ømm copper pipe at floor level.

## General Requirements

- Sodium Chloride must not exceed a level greater than 500 ppm.
- Use regular mains water only. DO NOT USE distilled or RO water.

## Complying Standards

- PED Cat 2 Module B+D Notified Body: British Engineering No. 0040
- Harmonised Standards applied: EMC BS EN 61326
- Community directives applied : Pressure Equipment Directive – PED 2014/68/EU (formerly PED 97/23/EC)
- Designed in accordance with PD5500 (formerly BS5500) & BS2646
- Chamber and Door constructed of stainless steel BS-EN 10028-7:316
- ISO 9001: 2008
- CE Marked

Information is subject to change to suit different options added. This information is correct as of 6th September 2017, E & OE



# WolfLabs

**Pricing on any accessories shown can be found by keying the part number into the search box on our website.**

The specifications listed in this brochure are subject to change by the manufacturer and therefore cannot be guaranteed to be correct. If there are aspects of the specification that must be guaranteed, please provide these to our sales team so that details can be confirmed.

**[www.wolflabs.co.uk](http://www.wolflabs.co.uk)**

**Tel : 01759 301142**

**Fax : 01759 301143**

**[sales@wolflabs.co.uk](mailto:sales@wolflabs.co.uk)**

Please contact us if this literature doesn't answer all your questions.